

# 5568 HD68-IDC

## Features

- 32 channels
- Internal IDC connector
- External HD68 connectors

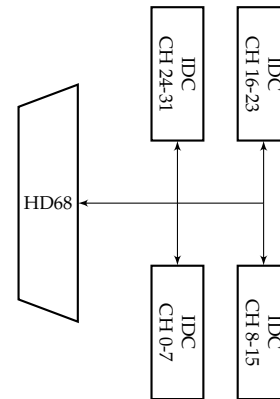
## Applications

- Branch out analog signal from:
  - 5432 DAC Zotino
  - 5632 DAC Fastino
- BNC or SMA adapter when used with:
  - 5518 BNC-IDC
  - 5528 SMA-IDC

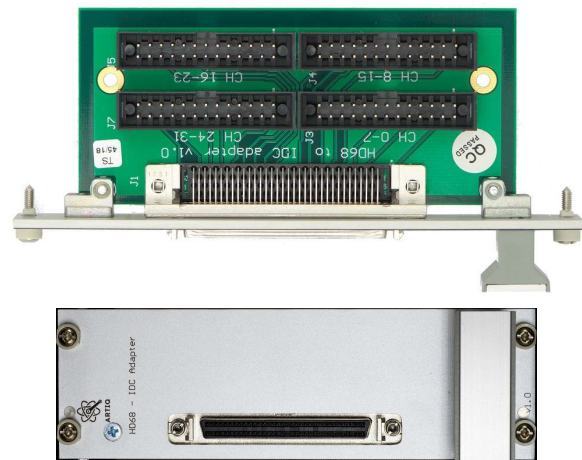
## General Description

The 5568 HD68-IDC card is an 8hp EEM module, part of the ARTIQ/Sinara family. It is an adapter card that converts IDC connections to or from HD68 connections. It can be connected via external HD68 cable to 5518 BNC-IDC or 5528 SMA-IDC cards.

Each card supports 32 channels, with one HD68 connector and four IDC connectors. Each IDC connector supports 8 channels. All 32 channels can be accessed using an external HD68 cable.



**Figure 1: Simplified Block Diagram**



**Figure 2: Card and front panel**

## Source

5568 HD68-ADC, like all the Sinara hardware family, is open-source hardware, and design files (schematics, PCB layouts, BOMs) can be found in detail at the repository [https://github.com/sinara-hw/ADC\\_HD68\\_Adapter](https://github.com/sinara-hw/ADC_HD68_Adapter).

## Cable Connection Diagram

The 5568 HD68-ADC card can convert signals from HD68 format to ADC format. Within the Sinara family, the analog output of 5432 DAC Zotino & 5632 DAC Fastino cards is exported using HD68 connectors. To break out the analog signal into a different crate, connect 5568 HD68-ADC with the DAC card using an external SCSI cable. Then plug in ADC cables to the appropriate ADC connectors to break out the signal to e.g. 5518 BNC-ADC, 5528 SMA-ADC, or 5538 MCX-ADC.

The cable connections for 5568 HD68-ADC can be seen in the diagram below.

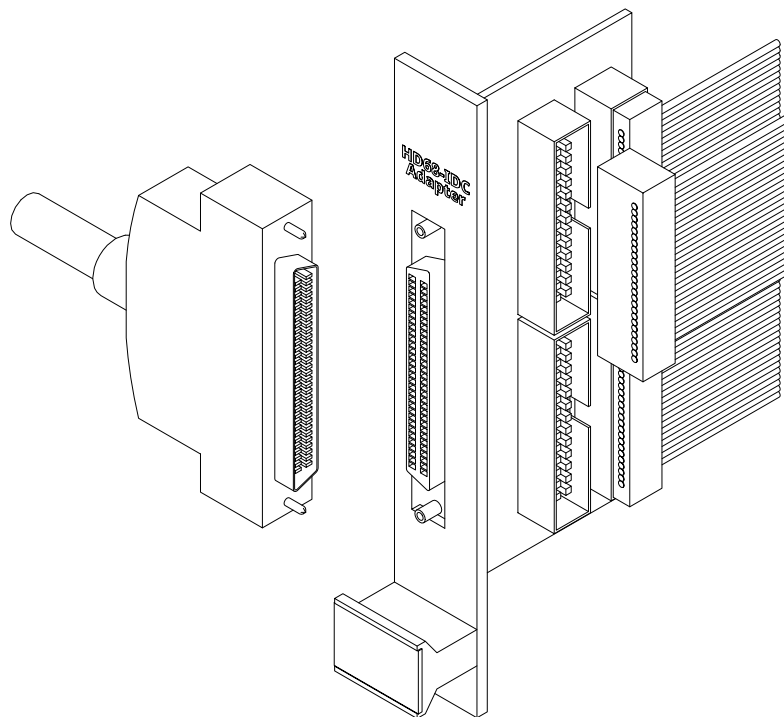


Figure 3: HD68-ADC connection diagram

## Ordering Information

To order, please visit <https://m-labs.hk> and choose 5568 HD68-ADC in the ARTIQ/Sinara hardware selection tool. Cards can be ordered as part of a fully-featured ARTIQ/Sinara crate or standalone through the 'Spare cards' option. Otherwise, orders can also be made by writing directly to <mailto:sales@m-labs.hk>.

Information furnished by M-Labs Limited is provided in good faith in the hope that it will be useful. However, no responsibility is assumed by M-Labs Limited for its use. Specifications may be subject to change without notice.